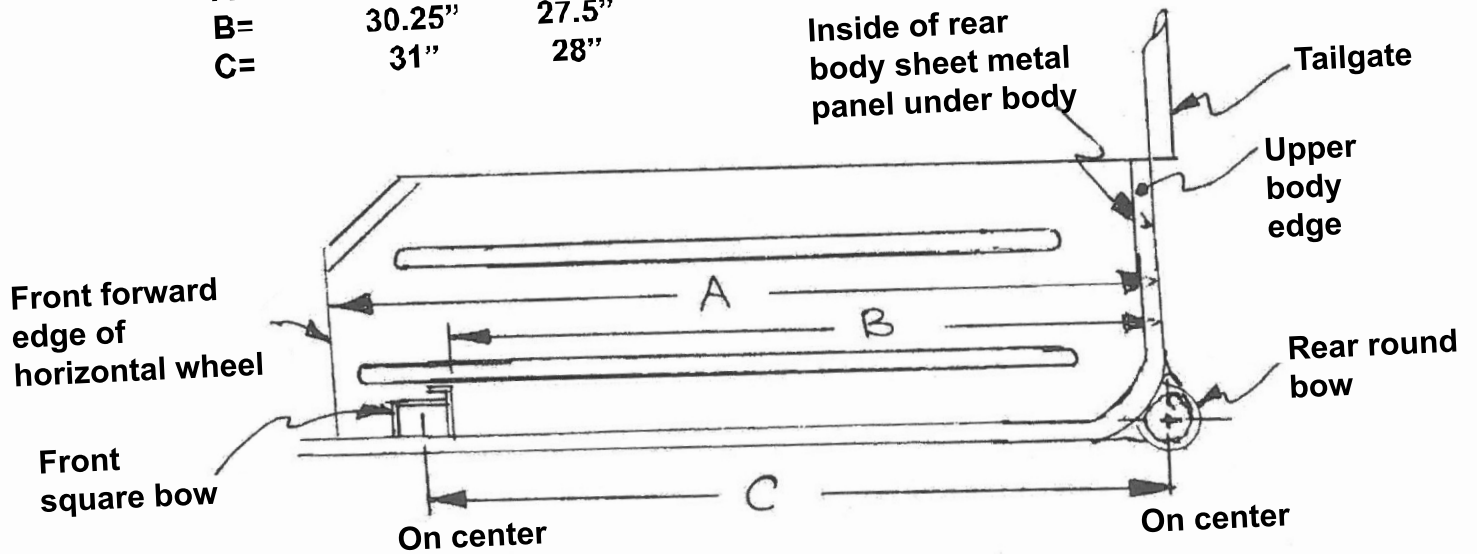


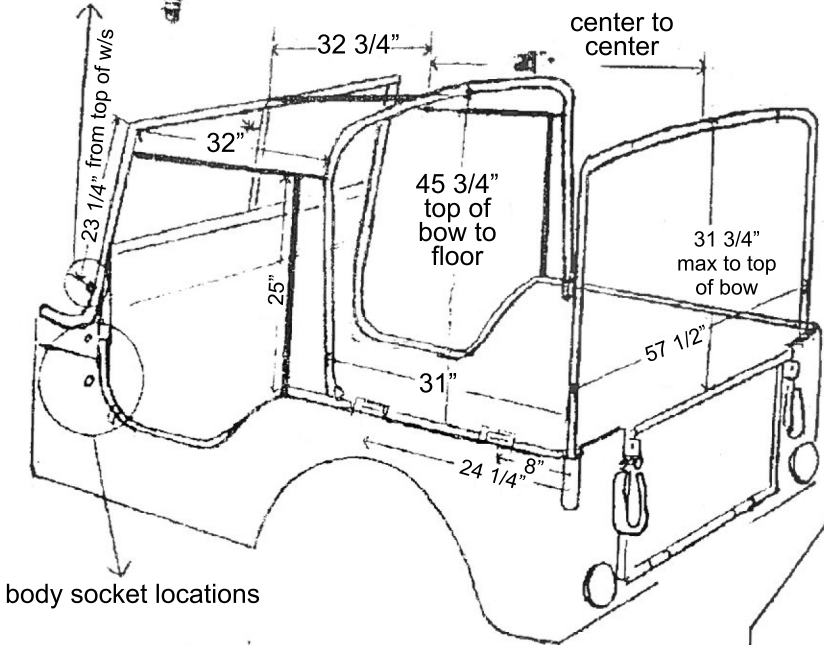
CJ2A, 3A, 3B Body Identification by Rear Wheelhouse Dimensions

<u>Dimension</u>	<u>CJ2A</u>	<u>CJ3A-3B</u>
A=	33.5"	32"
B=	30.25"	27.5"
C=	31"	28"

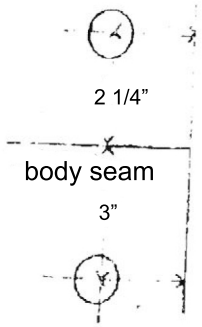




Windshield fastener



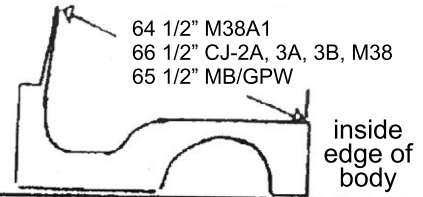
body socket locations



* these dimensions are i.d.

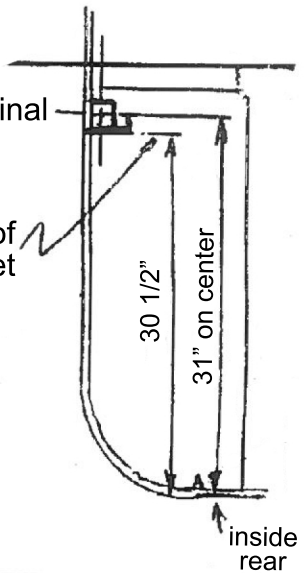
31" is also center to center of bow sockets

looking from rear of Jeep

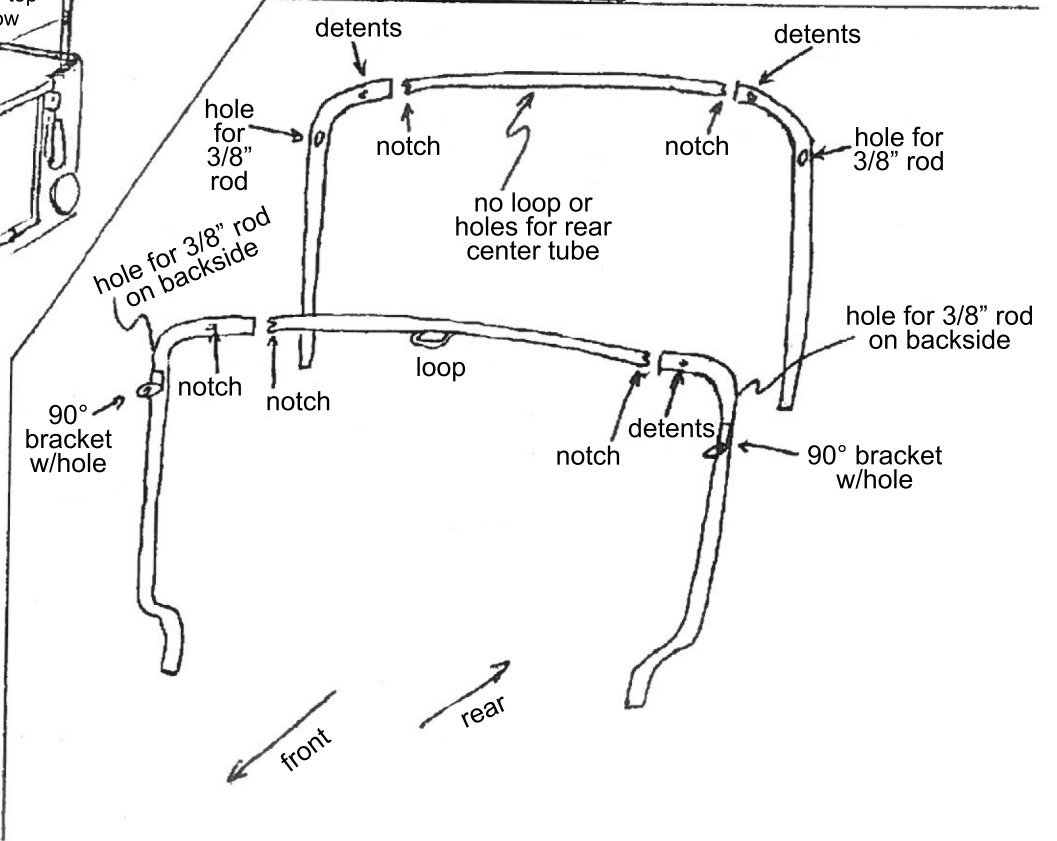


inside edge of body

Original
Rear of bracket



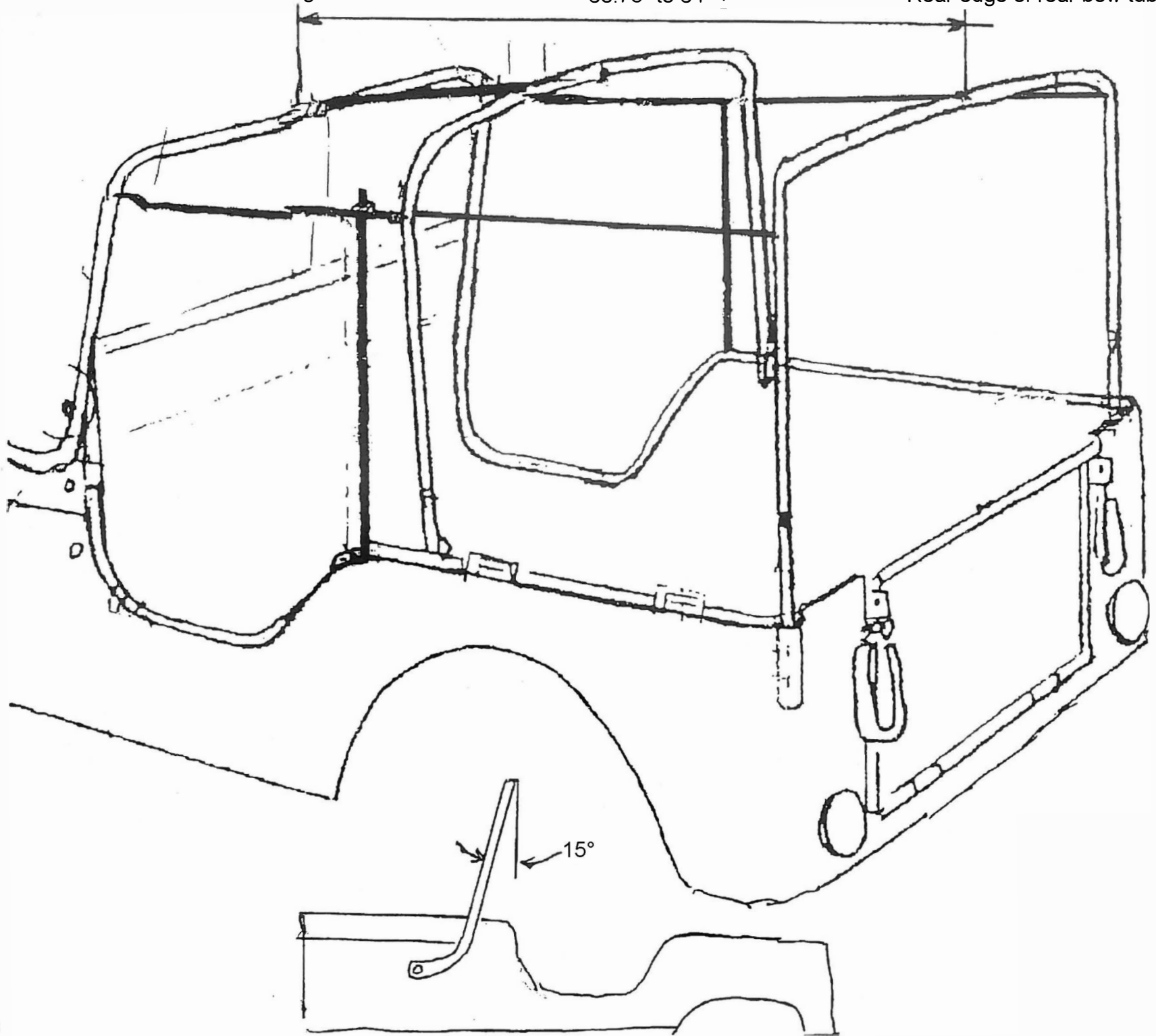
inside rear

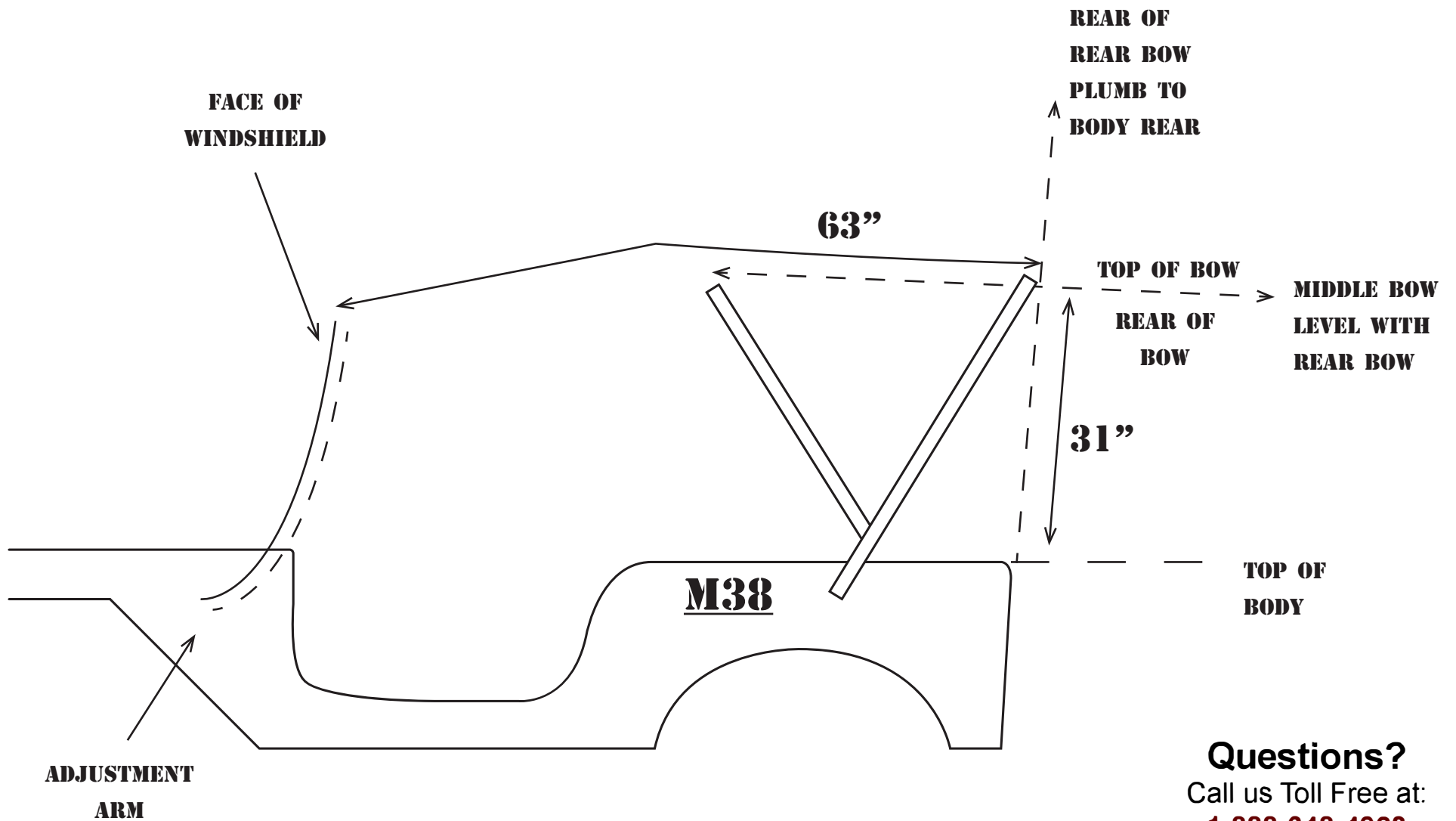


Front edge of windshield

63.75" to 64" +

Rear edge of rear bow tubing





Questions?
 Call us Toll Free at:
1-888-648-4923
 Mon-Fri, 9AM-5PM EST
 or email Mike Meditz at:
mike@kaiserwillys.com